

Product Photo:

NOT AVAILABLE

Name & Model No:

O-TVI protector- (Over, Temperature, Voltage, Current, protector)

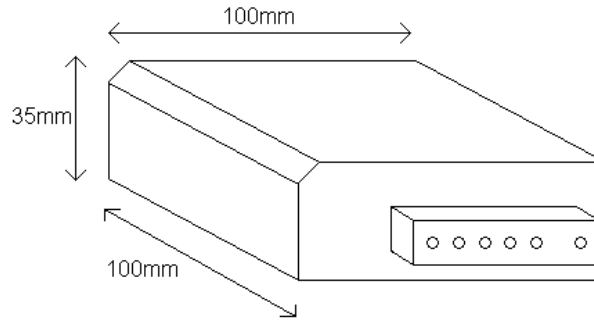
Description:

AEM newly developed equipment that can continuously monitor parameters like

1. Temperature
2. Voltage
3. Current

The above parameters of any equipment that needs to be protected against over values of equipment temperature line voltages and current consumption based on the O-TVI pre set values. The major advantage is that the O-TVI issues protection signal in approximately nano seconds so that the equipment under protection doesn't go into the state of major damage and also the parameter that exceeded the set value is indicated by the respective LED indicators.

Product Dimensions:



Technical Specifications:

Parameters	Minimum	Maximum	Unit
Operating voltage	100	300	Volts
Line frequency	45	65	Hz
Current consumption	60	100	mA
Protection temperature	50	150	°C
Protection Voltage	100	300	Volts
Protection Current	1	CT value	Amp

Advantages:

- 1.Safeguard the equipments from high surges & voltages.
- 2.Monitors the current temperature.
- 3.Cut off the high voltage before it reaches to the equipment in nano seconds.

Application:

1. Industrial electrical equipments protection
2. Domestic electrical equipments protection
3. Software industries for servers and computers protection
4. Data centers.
5. CNC machines

Installation & Commissioning:

