

Product Photo



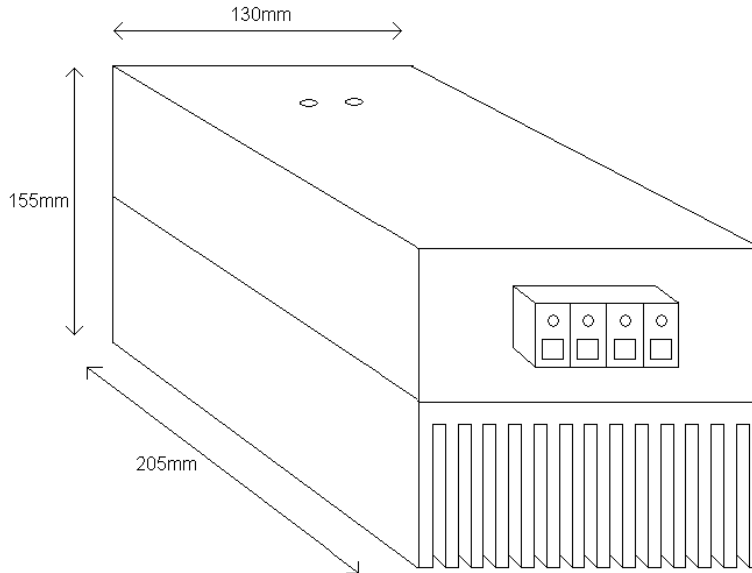
Product Name: Regler-Single Phase

& Model No : RGL-1P

Description

A newly developed technology for mains AC voltage regulation and distribution for constant voltage supply without altering load performance and can save electricity cost for large electrical power users like any industry or factory. The system is a simple plug and run type of equipment that carries the standard electrical input and output to connection. Simply connect the input of the mains incoming AC line to the electricity saver equipment and the output of the electricity saver to the user load. The consumption of the load will be reduced, thereby reducing the monthly electricity bill. The equipment is easy to install with its wall mountable assembly. For a three phase distribution system three such equipments can be installed with a common neutral. The product was approved and certified by CETL accredited by NABL Laboratory India.

Product Dimensions:

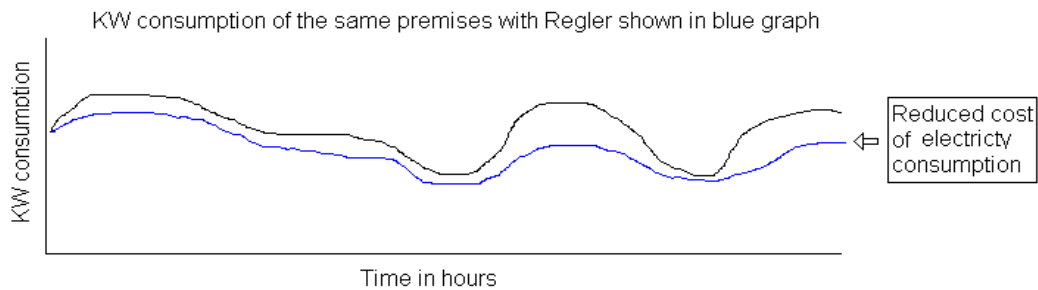
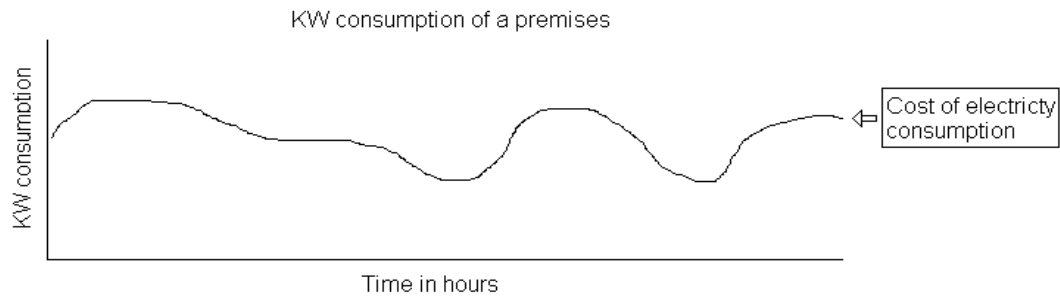


Technical Specifications

Input voltage	-	180 to 260 VAC
Line frequency	-	45 to 55Hz
Current rating	-	40Amps
Ambient temperature	-	(-) 10 to (+) 60 Degree centigrade
Equipment temperature rise	-	50C (Approximate)
Equipment cooling	-	Forced air cooling
Weight	-	
Dimensions L x B x H	-	205mm x 130mm x 155mm
Body	-	Powder coated
By pass mode indicator	-	Red LED
Eco mode indicator	-	Green LED
Change over time from		

By pass to eco mode	-	1minute (Approximate)
Change over time from		
Eco to bypass mode	-	1minute (Approximate)
Mounting	-	Wall mountable

Performance chart



Advantages:

1. Saves money by saving the cost of electricity consumption
2. Reduces the failure rate of all connected equipments
3. Protects all electrical connected equipments from surges and high voltage spikes
4. Acts as regulator of electricity

Applications:

1. Metal Industry
2. Plastic industry
3. Tanneries
4. Residential Appartments
5. Clothing industries
6. Heaters
7. Kitchen and laundry equipments

Installation & Commisioning

