

Product Photo



Product Name : Greentech

Model No : GT-1

Description :

A new technology based water level sensor is developed that can sense water level in tanks without

1. Corrosion
2. Electrolyses
3. Conductivity of electricity in water
4. Thermal dissipation
5. Special electrodes

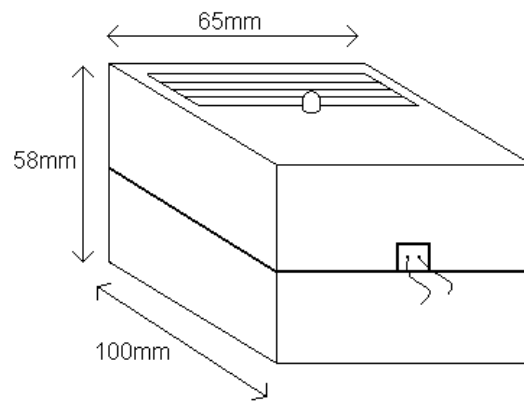
The equipment is shown above and works with mains electrical isolation technology without the use of heavy iron core transformer and also the consumption is negligible as compared to

locally available similar products. The sensing electrodes can be simple wires of any type like telephone wires co axial cables or any low cast electrical wire. No need for special electrodes

just the wire ends will act as electrodes inside the water tank whose level is required to be sensed the connection to the water saver and wires to the water tank is as shown below.

The water saver can be connected to mains 230Volts it will be indicated by the blue light .The connection to the saver can be made along with the switch that power motors in domestic or industrial applications or can be separately powered from mains, the sensor wires can be fixed at the required level as shown above, when the water level in the over head tank comes to the required level and touches the wires the water saver give a continuous buzzer sound indicating that the tank is full. Now the saver and motor can be switched off to avoid over flow of water.

Product Dimensions:



Technical Specifications:

Line voltage	-	230Vac tolerance 10%
Line frequency	-	50/60Hz
Current rating	-	20mA
Operating temperature	-	-10 to +50°C

Application

- 1.Domestic over head water tanks
- 2.Industrial water tanks
- 3.Tanneries
- 4.Fish forms

Advantages:

- 1.Saves water and environment.
- 2.Corrosion free.
- 3.Simple to install.
- 4.Long life gurantee.
- 5.Shock proof.

Installation & Commisioning

